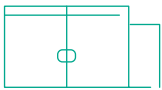


Fact sheet

Mobile Infill Infrastructure Solution (MiiS)

MiiS provides a micro cell site solution to enable better localised mobile coverage by utilising our nationwide network of poles to position antennas supported by powered street cabinets. It can be used to help resolve mobile signal black spot issues and expand overall coverage. It is especially useful in rural and suburban residential areas where poles are most common.



MiiS provides hosted micro radio cell site solutions using Openreach poles and enables you to deploy radio equipment in Openreach provided street cabinets.

MiiS is available to mobile network operators (MNO) who have licensed mobile spectrum or to communications providers (CPs) who have MNO customers with licensed mobile spectrum.

Select a pole in your required coverage location and we'll deliver your micro radio cell site solution.

How it works

Pole selection

We provide a catalogue of existing Openreach pole sites that can be chosen for mobile coverage* (available after establishing for the product).

Antenna provision

We provide and maintain an antenna that we mount on top of a selected pole.

2 or 3 sector antenna options are available in spectrum bands 696MHz to 960MHz and 1710MHz to 2690MHz.

Cabinet provision

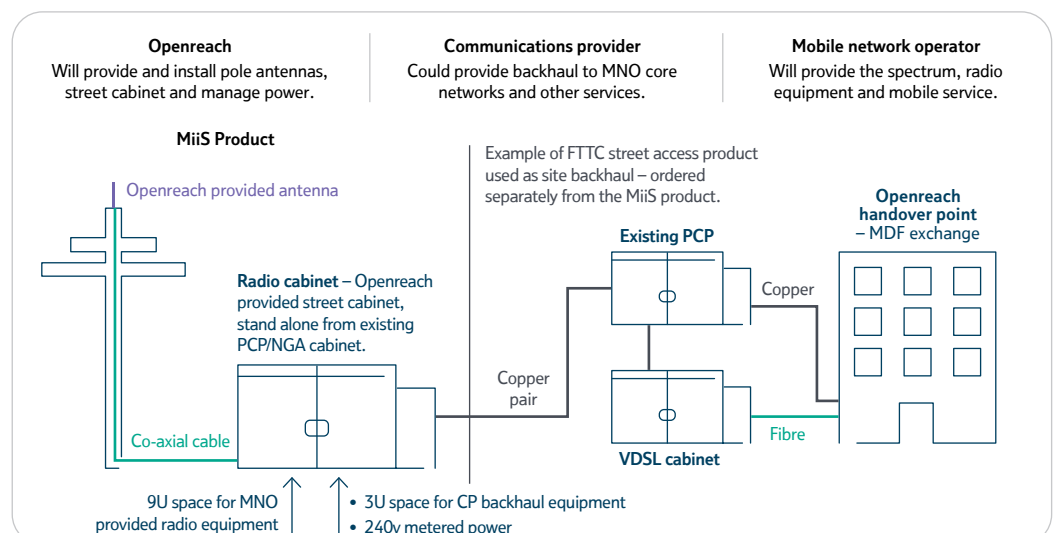
A powered street cabinet is positioned close to the selected pole. This provides space for you to install and connect your radio equipment. The cabinet is connected to the antenna on the pole via Radio Frequency (RF) cables.

Access circuit order

The MiiS cabinet supports the provision of copper or fibre based access circuits (from the Openreach portfolio only), to enable mobile traffic from your radio equipment to be carried back to your respective networks.

Note: The provision of an access circuit into a MiiS cabinet is not included as part of the MiiS product and will need to be ordered and purchased separately.

* The pole catalogue is available on the Openreach portal (login required). Pole site selection is subject to survey.



Choose your MiiS site from our pole catalogue.

Localised coverage is cheaper to deploy than traditional macro cell tower sites.

Product variants

We have a range of MiiS product variants, aimed at providing a choice of antennas to cover a range of scenarios:

- MiiS 2 sector (696MHz to 960MHz) 2 degree downtilt
- MiiS 2 sector (696MHz to 960MHz) 10 degree downtilt
- MiiS 2 sector (1710MHz to 2690MHz) 2 degree downtilt
- MiiS 2 sector (1710MHz to 2690MHz) 10 degree downtilt

- MiiS 3 sector (1710MHz to 2690MHz) 2 degree downtilt
- MiiS 3 sector (1710MHz to 2690MHz) 10 degree downtilt.

The cabinet will remain the same in all variants.

Customer benefits

Attractive pricing

MiiS is typically cheaper to deploy than traditional macro cell tower sites where smaller pockets of coverage are required.

Reduced risk

By outsourcing your requirements to us we can ensure that everything is in the right place, at the right time.

Nationwide coverage

Our nationwide selected pole estate provides you with the capability to resolve issues with coverage black spots and expand your coverage capability.*

Meet bandwidth demands

With ever-increasing pressure to improve 3G and 4G mobile coverage across the UK, MiiS can help you meet your customers' bandwidth demands.

Managed solutions

We own and implement the full plan, build and maintenance of each site, taking the hassle away from you and your customers.

Tailored solutions

We have a variety of product options to suit the specific needs and site requirements of you and your customers.

* MiiS coverage excludes Northern Ireland.

For more information on MiiS visit www.openreach.co.uk or contact your business development manager.

www.openreach.co.uk

The telecommunications services described in this publication are subject to availability and may be modified from time to time. Services and equipment are provided subject to British Telecommunications plc's respective standard conditions of contract. Nothing in this publication forms any part of any contract. Openreach and the Openreach logo are trademarks of British Telecommunications plc. © British Telecommunications plc 2020. Openreach Limited, Registered office: Kelvin House, 123 Judd Street, London WC1H 9NP. Registered in England and Wales no. 10690039. Produced by Openreach. Designed by Westhill.co.uk

PHME 83393